

technagon

advanced charging e-xperience

P45

practical
& versatile



COMPLIANT WITH
CALIBRATION LAW



Stand 12/2022

Technagon P45 charging station

■ flexible ■ innovative ■ user-friendly ■ high-quality ■ service-friendly

The Technagon P45 is a flexible, convenient and very high-quality AC charging station for public and semi-public areas and has an integrated house connection box - a major advantage in many concepts. The Technagon P45 can be mounted on our ready-made foundation in just a few simple steps. With a very attractive design, the P45 is resistant enough to withstand weather conditions and vandalism. It has two charging bays each with a 4.3" displays for maximum ease of use. It can be connected directly to transfer terminals, which are connected to the RCD from below.

The innovative solution for dealing with calibration law conformity is ingenious.

technagon.de

features & functions

- area of application: public and semi-public areas
- new solution in calibration law conformity, the charging unit as a closed part
- MID-compliant or (optionally) compliant with calibration law (ERK) – also available with spiral charging cable
- attached house connection box with 2 meter fields optional
- connection from below through an empty pipe to the house junction box KH00
- OCPP1.6-capable for optimal connection to backend systems
- design: high-quality, powder-coated aluminum housing | housing colour: complete DB701 | side loading bays and LED toppers in RAL9005 | special colors on request
- status display: LED topper with color and flashing codes for status indicator
- function display / operation: 4.3" display and RFID reader for each charging point
- KfW eligible
- installation on the floor | ready-made foundation as an accessory or self-constructed foundation according to the plan
- extremely service-friendly thanks to the compact, closed charging module
- available with a variety of options and accessories, directly configurable as required
- credit card terminal as an option or can also be retrofitted (small effort)

main areas of application

The Technagon P45 is ideal for use in public and semi-public areas.

highlight

The unique charging unit opens up completely new possibilities in charging technology. It is a revolution in terms of service, the simple scope with calibration law and also in terms of user-friendliness. This Charging Unit is based on a great deal of experience, a high level of innovation and the need for convenience for operators and service. The powerful Technagon **charging controller** is the core of the device.



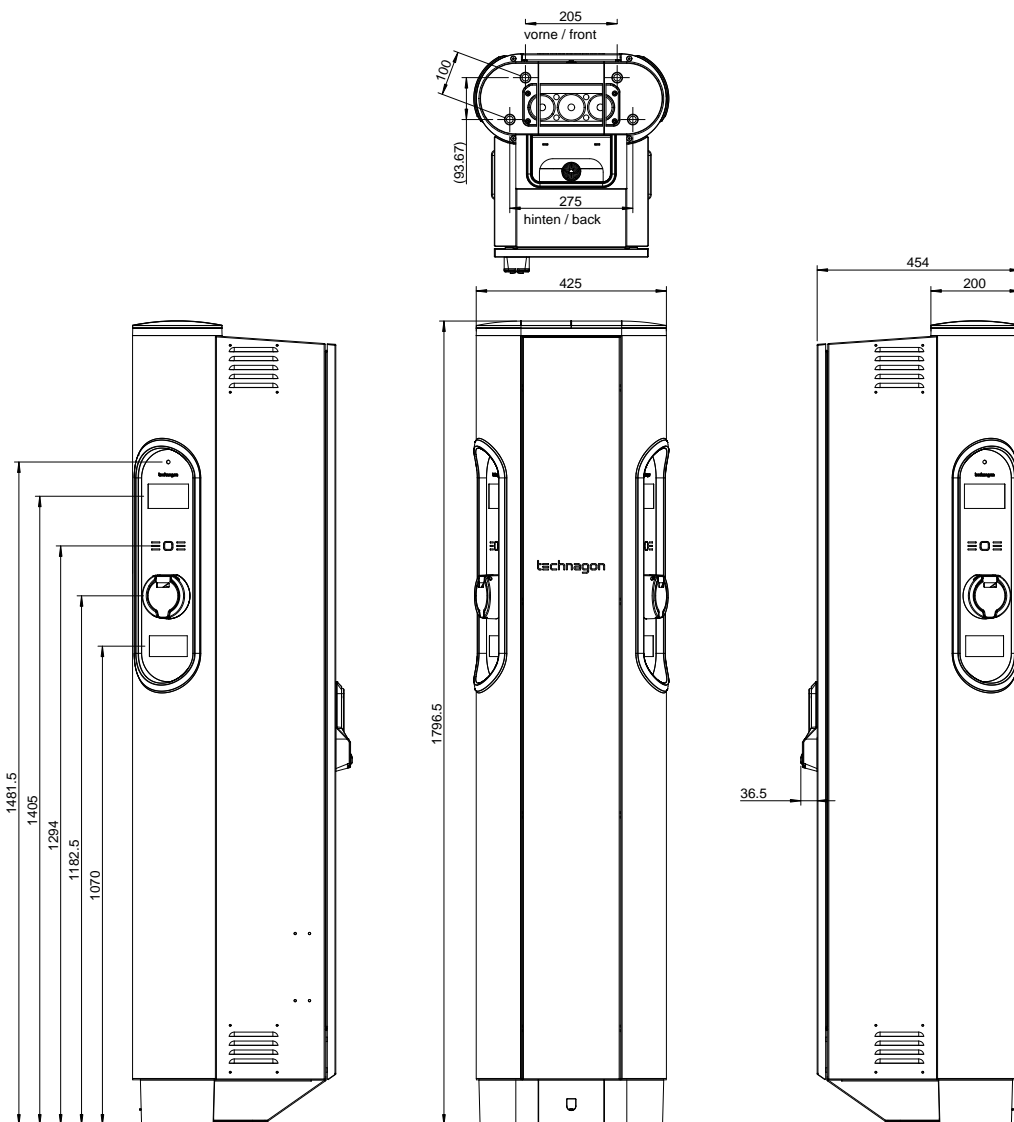
description

The Technagon P45 charging station is equipped with two charging points, two vehicles can be charged at the same time. As an option, the Technagon P45 can be supplied with attached spiral cables, and this even conforms to calibration law. Our intelligent load management ensures that the charging power is optimally distributed to all electric vehicles to be charged. This is done via OCPP or via local connections.

The clear 4.3" display ensures user-friendliness, an excellent overview of all necessary data such as price (for payments with giro card), charge status and charging time. The housing made of high-quality powder-coated aluminum offers excellent protection against the effects of the weather and vandalism. Some options such as overvoltage protection, LTE connection, direct payment system, etc. can be integrated ex works.

All standard versions of the P45 currently meet the requirements of calibration law. In addition, a KfW subsidy is possible.

dimension (mm)



base variant



compliant with calibration law



with AGK (attached cable) as an option



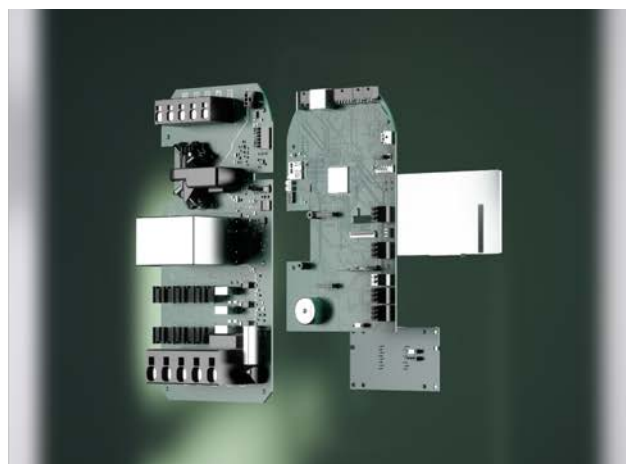
COMPLIANT WITH CALIBRATION LAW

Each model compliant with calibration regulations (ERK) as standard; Optionally available MID-compliant

technical information

features and functions

authentication	via RFID cards (ISO 14443) MIFARE Ultralight, Classic or DESfire
display	4,3"– color display per charging point
charging processes	according to IEC 61851 "Mode 3", charging current regulation, optional loading information via OCPP
charging ports	2x IEC 62196 type 2 charging socket plug lock 2x attached cable type 2 (charging ports can be combined) *max. 2 x 22 kW in parallel (max. 32 A per charging point) (* simultaneity factor 0.9) Emergency unlocking in the event of a power failure
charging capacity (house connection box)	counter field single occupied: 1 x 22 kW singular or rather 2 x 13,5 kW parallel due to 44A continuous operation according to VDE-AR-N 4100 counter field double-assigned: 2 x 22 kW parallel Meter type 30 kW variant: 1x eHz or 1x 3-point; Meter type 44 kW variant: 2x eHz



technical information

mechanical execution

dimension	1797 x 425 x 490 mm (H x W x D)
weight	depending on the version 95-98 kg
operating temperature range	-25 °C to +40 °C*; temperature derating
Installation site	≤ 2,000 m (height above sea level)
Relative humidity	5 to 95%, non-condensing
protection class	IP44 / IP54
protection against vandalism	IK10 charging pillar
mounting type	floor mounting on concrete foundation ready-to-use foundation available
handling	service-friendly design and good component accessibility

electrical version

* 24 h ≤ 35 °C

power connection Technagon P45	power connection: 3P+N+PE, up to 95 mm ² / TAB compliant mains connection with standard meter field and house connection box with single-use meter field up to 30 kVA and 50 A counter fuse according to VDE-AR-N 4100; optional meter field with double occupancy (BKE-I only) 2 x 22 KVA and 35 A counter fuses each
security	main switch: fuse switch disconnector 3P+N; fuses per charging point: 3x32 A (on power board) RCD type A per charging point with additional DC residual current monitoring optional: AC/DC sensitive residual current circuit breaker, RCD type B, 30 mA temperature derating; contactor glue detection
lightning and surge protection	optional combination arrester Cat. 1+2+3 optional combination arrester for data line
load management	static load management, dynamic load management (local & via OCPP)
specific features	i-MiEV-recognition, Mode-3s-recognition
status indicator	LED status display integrated in topper element (remote visibility) error detection through different flashing codes
calibration law	calibration law conformity, optionally available MID-conform
energy meter	top-hat rail counter calibration law-compliant, optionally available MID-conform
standby consumption	approx. 20 Watt

connectivity

surveillance	monitoring and diagnostics per OCPP1.6 (OCPP 2.0 in preparation)
remote maintenance and remote update option	extensive remote maintenance option via OCPP remote update possibility of the software
web interface	The most important parameters required for individual operation can be configured via the Technagon web interface.
external IT systems	connection via GPRS, UMTS, LTE, Ethernet port

billing and customer management

billing	by means of signed, calibration law-compliant data records via OCPP
calibration law-compliant long-term storage	local und physically accessible storage of charging data over 8 years using a SD card
customer management	via OCPP or local whitelist (csv import) optional payment option by Giro-e (EC card)

technical information

norms

charging processes	IEC 62196-2, VDE-AR-E2623-2, IEC 60309, IEC 61851-1
security	IP44 / IP 54 according to IEC 60529, protection class 1 according to DIN EN 61140, CE „Class A“ according to EU Directive 2004/108/EG, DIN EN 55022, DIN EN 61439-1
VDE-AR-N 4100	conformity given after consultation with local energy supplier

shared backend

HTB – Has To Be, ENIO, Driivz, Smartlab, ChargeCloud, Virta, Swarco ARGOS, NTT Data, E-Car OC

subject to technical changes

basic version

article no.	description
40069.166	Calibration law-compliant charging station with house connection box; semi-public and public areas; charging socket Meter type 30 kW variant: 1x eHz or 1x 3-point; Meter type 44 kW variant: 2x eHz

options charging station

article no.	description
40069.149	charging points MID compliant
40069.150	attached cable (permanently installed cable – no own cable necessary)
40069.153	backend configuration
40069.155	RCD type B per charging point (all-current sensitive residual current device)
40069.156	DIN rail connector Cat.6A (Ethernet connection)
40069.157	DEHNpatch surge arrester (Ethernet connection)
40069.158	EVU contact (I/O-Port for possible requirements from energy suppliers)
40069.160	4G modem (cellular modem)
40069.161	direct payment system via Giro-e (EC card) Business account with billing partner GLS Bank required separately
40069.177	Credit card terminal instead of a charging point,
40069.234	Credit card terminal additionally integrated into the charging station

options HAK

article no.	description
40069.167	power supply for smart meter gateway
40069.168	RJ45 LAN network coupler in RFZ (only for eHZ)
40069.312	Surge protection in the NAR (combined arrester 1+2+3/ I+II+III)

equipment

article no.	description
40069.162	ground anchor plate for on-site foundation
40069.163	ready-to-use concrete foundation according to manufacturer specifications
40069.296	Service kit for charging module

on demand

article no.	description
40069.164	in customized RAL colors
40069.154	factory foiling